



PVDF
PVDF
ECTFE
ETFE
HDPE
PFA
FEP
PP

“BRIGHTECH” High Performance, Tight Shut Off, Bi-directional, Wafer/Lug Style, Slim Seal, Integral Stem & Centric Disc Design, Lever/Gear Operated Type Cast Ductile Iron Fully Lined Butterfly Valve suitable for corrosion & temperature resistance. Confirming to mfg. std. of BS 5155 /API 609 and testing std. of BS 6755 part 1.

Design Features & Benefits

FEP/PFA Body & Disc Liner

The high quality most advanced Fluoropolymer liner on the Butterfly Valve is melt processible which avoids porosity problems. The non sticky properties of the liner ensure high performance of the valve under highly corrosive chemicals in conjunction with high pressure and temperature.

Locked in Disc Liner

The melt processible Fluoropolymer of this Butterfly Valve is securely locked in to cast hole of disc, which helps to prevent liner to collapse in vacuum condition and blow out in high pressure conditions regardless of high temperature.

Live Loaded Top Sealing

Live loaded disc spring washers provides constant uniform packing pressure and requires no manual setting from the top in running condition.

Tight Shut Off

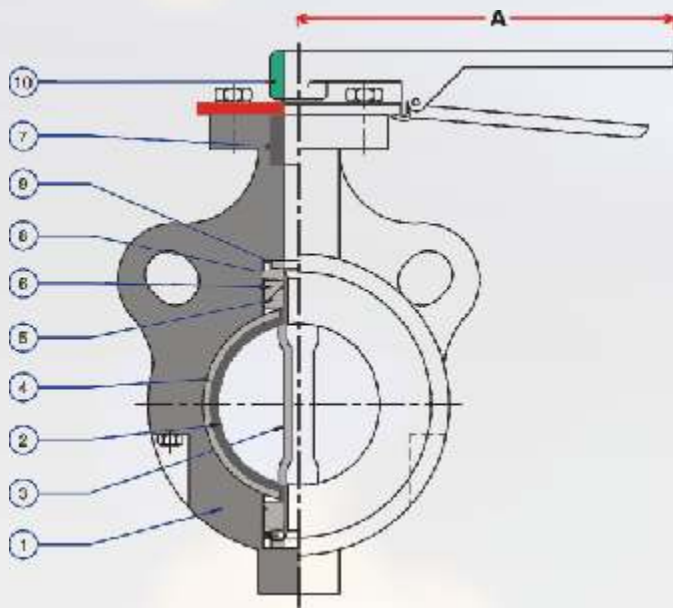
A silicon backing strip is provided inside deep machined body groove for the liner to resist against the disc edge which creates tight shut off.

Brightech Butterfly Valves with FEP/PFA are unequalled for chemical services like

- All acids.
- All bleach solutions
- All phenols
- All inorganic chlorides and sulfates
- All solvents
- All caustics
- All organic chlorides and sulfates

Standard Design

Brightech fully lined Butterfly Valves are design in accordance with face to face dimension of API 609 specification and suitable to mount between two flanges of ANSI B 16.5 flanges which permits this valves to replace with any standard Butterfly Valve without altering existing piping.



Material Specification

SR.NO.	PART NAME	MATERIAL
1	Body	Ductile Iron with Lining
2	Liner	FEP/PFA/PVDF/ETFE/ECTFE/PP/HDPE
3	Disc with Integral Shaft	CS/ASTM A351 CF8/8M with Lining
4	Elastomer Backing	Silicon rubber/Viton rubber.
5	Thrust Collar	PTFE
6	Thrust Washer	S.S 304
7	Gland Bush	PTFE
8	Disc Spring	Spring Steel (Ni.Plated)
9	Plain Washer	M.S/S.S
10	Lever Assly.	M.S Fabricated (Powder Coated)

Dimension (mm) & Weight

Size	50	65	80	100	150	200	250	300
F to F ± 1.6	43	46	46	52	56	60	68	78
A	265	265	265	350	430	G.Box	G.Box	G.Box
Weight (kg)	4.0	5.0	5.5	7.5	13.0	30.0	51.0	70.0

Operating Characteristic

Size	50	65	80	100	150	200	250	300
Torque(NM)	30	30	40	50	100	160	250	350
C _v	225	295	325	570	1670	2575	3950	5950

Lining Specification

Thickness	3.0/4.0 mm Over All Wetted Parts
Lining Material	FEP/PFA/PVDF/ETFE/ECTFE/PP/HDPE
Spark Test	20,000 Volts

Optional Accessories

Solenoid Valve • Limit Switch • Electro Pneumatic Valve Positioner • Pneumatic Rotary Actuator / Cylinder • Air filter Regulator



ISO 9001



Brightech Valves and Controls Pvt. Ltd.

Plot No.:- 345, Road No. :- 6, GIDC Kathwada, Ahmedabad 382 430, Ph.: +91-79-22902911, 65248816, Fax.: +91-79-22900538

E-mail: info@brightechvalves.com, Web.: www.brightechvalves.com



QM011